

# Technical Details

## Model CALESSI



### Technical Information

Frame	Frame of pine wood and MDF
Seat Suspension	N.E.A. 10 Years Guarantee
Back Suspension	Webbing 80mm
Seat Foam	Polyurethane 35kg+ fibre + Polyurethane 35kg
Seat Firmness	Medium Foam (white) + Soft Foam (grey)
Back Cushions	Fibre fibersilk 100%
Loose Cushions	Fibre fibersilk 100%
Legs Options	Hidden
Colours	Black

### Guarantee

Frame	Lifetime guarantee
Seat Suspension	10 years
Rest of Pieces	2 years*

\*6-month guaranty extension by activating it on the web

Comments: \* You would like to know more?  
Check the FAQs section in our website

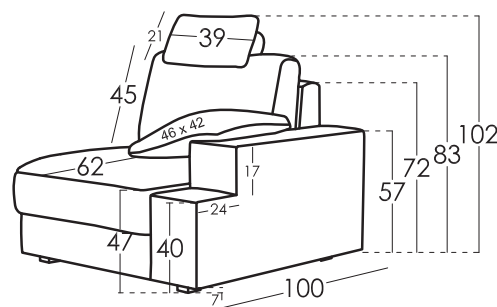
### Cushions Measures

Corner Back cush.	65 x 52 cm
Arm cushion	46 x 40 cm
Lumbar cushion	42 x 28 cm

### Measures

Width	x cm
Height	102 cm
Depth	100 cm
Seat Height	47 cm
Arm Height	57 cm
Back Height	45 cm
Depth when open	- cm
Net Weight	- kg
Gross Weight	- kg
Volume m3	- m3

### Scheme



### Packaging

Shrink wrapping plastic packaging with protective corner brackets

### Options



### Types of Standard Foam

Hardness: Soft Grey colour 35Kg	Hardness: Medium: White colour 35Kg	Hardness: Hard: Green colour 30Kg
---------------------------------------	---	---

### Types of Fire Retardant Foam

Hardness: Medium: Grey colour 41Kg	Hardness: Soft: White colour 36Kg
--	---

\* You can request a different seat hardness from the standard of the model with a small price increase

URBAN is manufactured by Fama Sofas, whose quality system is certified by AENOR and IQNET, according to ISO 9001-2008, with certificate number ER 0790/1999.

All models have passed the tests required for granting the quality control label from Aidima-Cetem laboratories.

