

Technical Details

Model

BARI



Technical Information

Frame	Frame of pine wood and MDF
Seat Suspension	N.E.A. 10 Years Guarantee
Back Suspension	Webbing 80mm
Seat Foam	Polyurethane 35kg+fibre
Seat Firmness	Medium Foam (white) *
Back Cushions	Fibre fibersilk 100%
Loose Cushions	Fibre fibersilk 100%
Legs Options	Wood 10cm or 15cm / Metal 15cm
Colours	Natural, Cherry, Walnut, Wengue, Silver, Black/Chrome, Dark Grey

Guarantee

Frame	Lifetime guarantee
Seat Suspension	10 years
Rest of Pieces	2 years*

*6-month guaranty extension by activating it on the web

Comments: * You would like to know more?
Check the FAQs section in our website

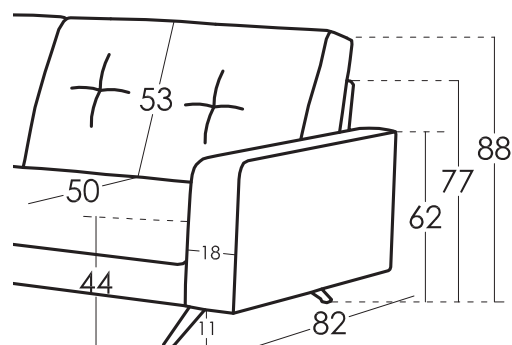
Cushions Measures

Magic Bari	29 x 39 cm
Butterfly H'rest	45 x 38 cm

Measures

Width	x cm
Height	88 cm
Depth	82 cm
Seat Height	44 cm
Arm Height	62 cm
Back Height	53 cm
Depth when open	- cm
Net Weight	- kg
Gross Weight	- kg
Volume m3	- m3

Scheme



Packaging

Shrink wrapping plastic packaging with protective corner brackets

Options



Types of Standard Foam

Hardness: Soft Grey colour 35Kg	Hardness: Medium: White colour 35Kg	Hardness: Hard: Green colour 30Kg
---------------------------------------	---	---

Types of Fire Retardant Foam

Hardness: Medium: Grey colour 41Kg	Hardness: Soft: White colour 36Kg
--	---

URBAN is manufactured by Fama Sofas, whose quality system is certified by AENOR and IQNET, according to ISO 9001-2008, with certificate number ER 0790/1999.

All models have passed the tests required for granting the quality control label from Aidima-Cetem laboratories.

* You can request a different seat hardness from the standard of the model with a small price increase

